

ARREGUI

UNIVERS

THE MOST
EFFECTIVE
SOLUTION FOR
PARCEL DELIVERY



THE MOST EFFECTIVE SOLUTION FOR PARCEL DELIVERY, COMBINABLE WITH MAILBOXES

ADVANTAGES



Enables universal delivery

- Any courier can make deliveries, including local businesses



Eliminates the digital barrier

- It is easy using; there is no need of mobile phone use or any website registration



Easy to use

- Delivery in 2 clicks (select recipient and parcel size)
- Collection in 1 click (insert key)



Sends delivery notifications to the receiver (optional)

- Once a parcel has been deposited, the system sends a notice to the recipient via email or text message



Generate usage metrics reports (optional)

- Generates periodic reports about the usage of the parcel boxes



It is modular

- Different parcel box sizes can be combined to achieve the custom grouping the customer needs, or the columns we offer can be used
- In both cases, new modules can be added to suit customer needs



It's sustainable

- Its energy consumption is very low
- By avoiding failed deliveries, it reduces the carbon footprint



Promotes the circular economy

- The mailboxes are shared by the residents and used by all the couriers, including local businesses



It is accessible for people with reduced mobility

- Each resident can choose delivery only on parcel boxes below 1,4 m



Protects privacy

- Each resident chooses whether to display their name, or just their floor and door



It is smart

- The Administrator can solve practical problems (open parcel boxes with packages that have not been picked up for a long period, user registrations...)

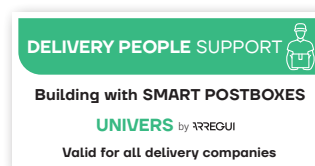
WHAT SERVICES DO WE OFFER?

• INSTALLATION

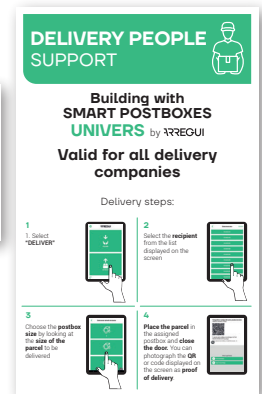
• TRAINING

- CUSTOMISED VINYL:** or labelling and customising parcel boxes to suit customers' needs.

- SUPPORT SIGNAGE:** Notices for delivery people to place at the building entrance, sign to place next to parcel boxes with the steps to follow for delivery people.



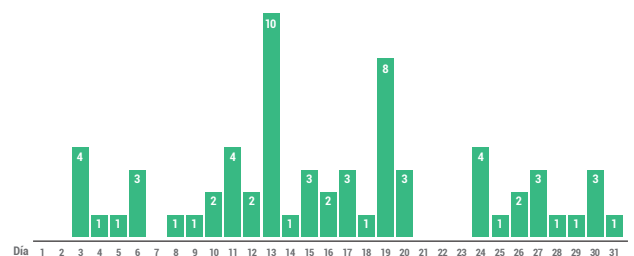
Available in different sizes.



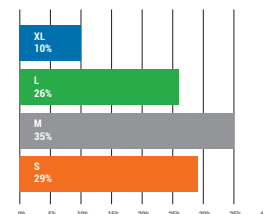
- MAINTENANCE (remote):** only for parcel boxes with **Home software with connectivity.**

This software also includes a feature to **send delivery notices** to recipients and **generate reports** on the use of parcel boxes.

NUMBER OF DAILY PARCELS DEPOSITED



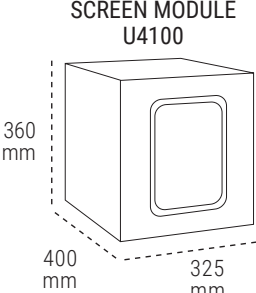
USE BY SIZE



Data collected from 1 to 31 October.
No. of Univers parcel postboxes: 23
No. of dwellings: 44

Doorway	Flat number	Postbox size	Date deposited	Date collected	No. of days in postbox
E	2 ^a A	L	31/10/22	07/11/22	7
A	1 ^a A	L	30/10/22	03/11/22	4
A	3 ^a B	S	30/10/22	31/10/22	1
A	3 ^a B	S	30/10/22	31/10/22	1
D	4 ^a B	S	29/10/22	30/10/22	1
E	1 ^a A	S	28/10/22	28/10/22	0
A	1 ^a A	M	27/10/22	28/10/22	1

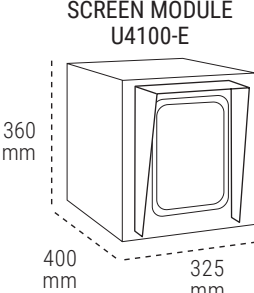
PARCEL PARCEL BOXES FOR CUSTOM CONFIGURATIONS



SCREEN MODULE
U4100

360 mm
400 mm
325 mm

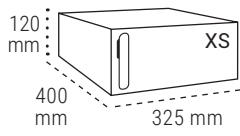
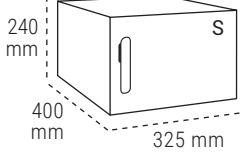
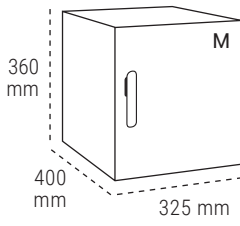
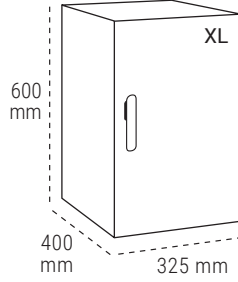


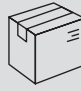

	SCREEN FOR INDOORS	SCREEN FOR OUTDOORS
Ref.	U4100	U4100-E
Degree of environmental protection	-	IP 65
Brightness	300 lumens	800 lumens
Max. temperature	-10°C to 60°C	-20°C to 70°C
UV (ultraviolet) filter sheet	-	YES
Indoor temperature sensor/ventilation system	-	YES



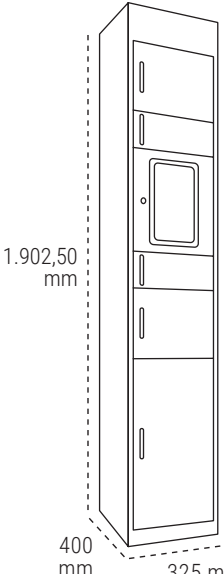
SCREEN MODULE
U4100-E

360 mm
400 mm
325 mm

Please note: It is recommended to install the screen at a height between 1 m and 1.40 m (3 ft 5 to 5 ft) from the ground so that it is accessible to all users.

XS / U4110	S / U4120	M / U4130	XL / U4150
 120 mm 400 mm 325 mm	 240 mm 400 mm 325 mm	 360 mm 400 mm 325 mm	 600 mm 400 mm 325 mm
Maximum parcel size	Maximum parcel size	Maximum parcel size	Maximum parcel size
			
27,5x9,8x37,5 cm	27,5x21,8x37,5 cm	27,5x33,8x37,5 cm	27,5x57,8x37,5 cm

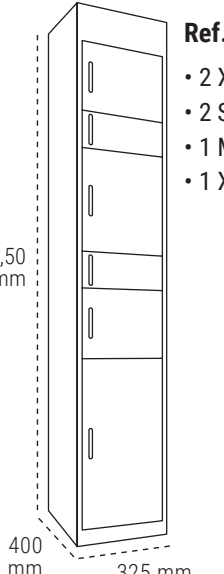
PRE-CONFIGURED COLUMNS



1.902,50 mm
400 mm
325 mm

Ref. U4200A

- 2 XS parcel boxes
- 2 S parcel boxes
- 1 XL parcel box
- 1 screen module




1.902,50 mm
400 mm
325 mm

Ref. U4200B

- 2 XS parcel boxes
- 2 S parcel boxes
- 1 M parcel box
- 1 XL parcel box

TECHNICAL DATA	
Placement	Indoors or covered exterior spaces (for covered exterior spaces, available only in white or silver to prevent the system from overheating)
Material	Galvanised steel
Power supply	Conection to mains 220/240V
Conectivity	WiFi, network cable or SIM card
Software	Home Home with conectivity
Max. humidity	90%
Colours available	White / silver / anthracite / black

WATCH VIDEO



Please note: Columns U4200A and U4200B are for indoor installation only. The U4200A column can be installed on its own (essential as it has the screen with the management software), or users can add the desired number of U4200B columns.

MAILBOXES COMBINABLE WITH PARCEL BOXES

CHARACTERISTICS

Anti-vandalism: Very robust, made of thick reinforced galvanised steel.



Eurolock system

Extra-long ramp to prevent the contents from being removed from the outside

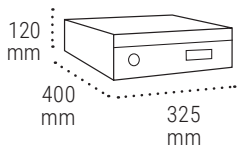
Slot: 280x30 mm



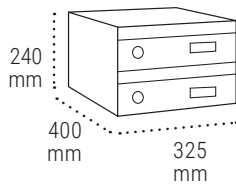
Example of grouping of parcel boxes (1 screen module + 3 size S + 2 size M + 2 size XL), combined with mailboxes (3 sets of 5 mailboxes) and base socket.



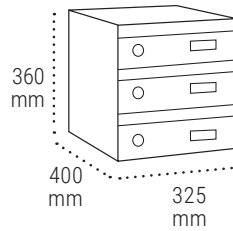
INDIVIDUAL
U3010



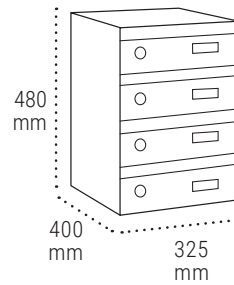
2 MAILBOXES SET
U3020



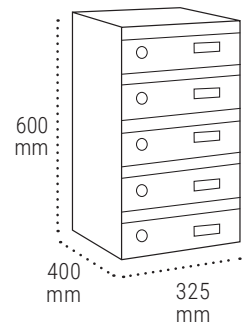
3 MAILBOXES SET
U3030



6 MAILBOXES SET
U3040



5 MAILBOXES SET
U3050



Distribuidor:



Pol. Industrial Ubegun. 3B.
20809 Aia-Orio. Gipuzkoa (SPAIN)
arregui@arregui.es
www.arregui.es